

2024+ Ford
Mustang GT 5.0L Non-Active



IMPORTANT! WARRANTY AND INSTALLATION INSTRUCTIONS

Please Forward All Information to Consumer

Be sure to review the enclosed instructions prior to beginning the installation process. If you have any questions about the enclosed parts or instructions, or if you encounter a problem during installation:

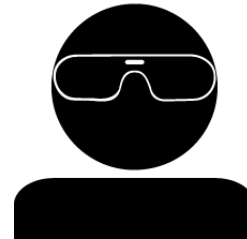
CALL TECHNICAL SUPPORT: 440.891.0999 or 800.486.0999

**TO ACTIVATE YOUR WARRANTY GO TO:
[CORSAPERFORMANCE.COM/WARRANTY](https://www.corsaperformance.com/warranty)**

COLOR INSTRUCTIONS ARE AVAILABLE BY PART NUMBER ON: [CORSAPERFORMANCE.COM](https://www.corsaperformance.com)



NEVER work on a hot exhaust system.
Allow time for the vehicle to cool.



**Always wear eye protection
when working under a vehicle.**

INSTALL DIFFICULTY 

RECOMMENDED TOOLS & SUPPLIES

- 3/8" Drive Ratchet
- 3/8" Drive Torque Wrench
- 3/8" Drive 13mm Socket
- 3/8" Drive 15mm Deep Socket
- 1/4" Ratchet
- 1/4" Drive 7mm Socket
- 1/4" Drive 10mm Socket
- Push Clip Removal Tool/Flat Head Screwdriver
- Tape Measure & Marker
- Saw or Chain-Style Pipe Cutter
- File or Sanding Device for De-Burring
- Grommet Pullers
- Soap and Water Solution
- Torque Wrench
- Penetrating Lubricant Spray

2024+ FORD MUSTANG GT 5.0L V8

3.0" Axle-Back Dual Rear Exit w/ 4.5" Tips

Sport Part #: 21252, 21253 - Touring Part #: 21256, 21257 (Incl. BLK, CF, & CF BLK)



Please take time to read and understand these installation instructions.

CORSA recommends that the installation of this system be performed by a qualified service center or professional installer who has the necessary equipment, tools, and experienced personnel. However, if you decide to perform this installation yourself, the use of an additional person may be required.

WARNING: Never work on a hot exhaust system. Allow time for the vehicle to cool. Always wear eye protection when working under a vehicle.

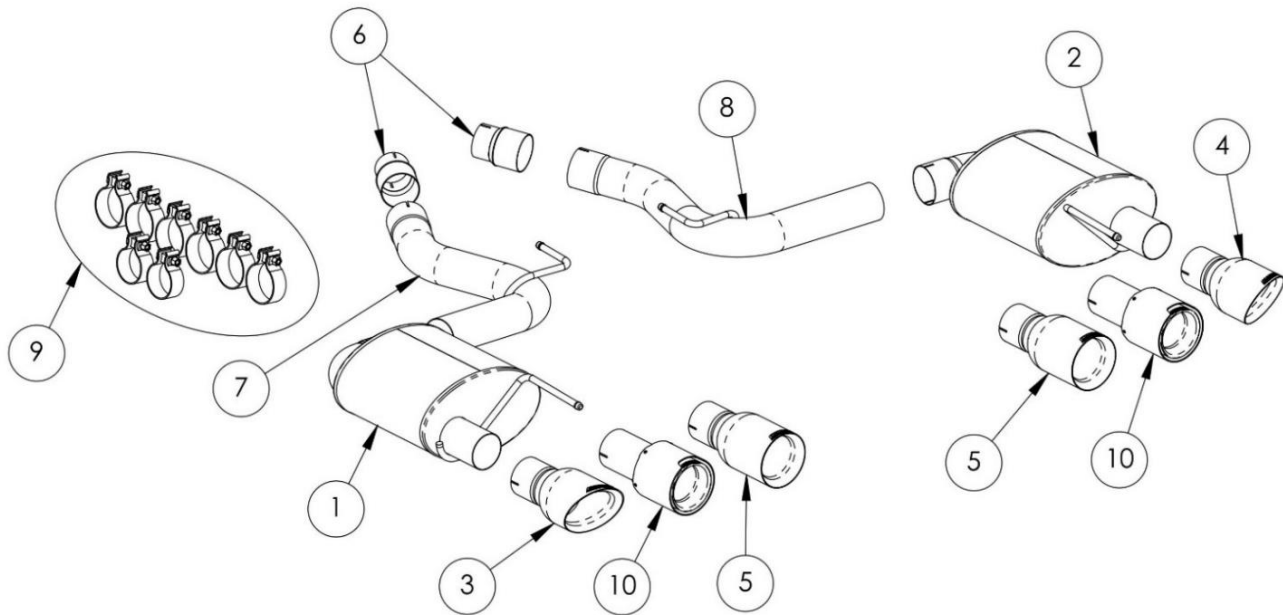
CORSA Performance makes no representation or warranty, expressed or implied that its downpipe or header products and or components there-in comply with federal, state or local emission levels, noise levels, or safety standards or that any of their parts conform with the racing vehicles exemption, unless otherwise noted. The purchaser assumes all responsibility for such use and compliance.

This warranty does not extend to damaged or defect in the finish of a product or to any product, that in the opinion of CORSA Performance, has been misused, damaged by accident or negligence, altered or modified in any way, faulty installation or installed contrary to CORSA installation instructions, or repaired by an unauthorized service facility.

Full warranty available on www.corsaperformance.com

Please confirm that all parts are present according to the bill of materials before beginning the installation.

If something is missing call Tech Support at 440.891.099 or Toll Free: 1.800.486.0999



NOTE: Each Kit Includes 1 set of mufflers and 1 set of tips

BILL OF MATERIALS

1.	Driver Muffler Assembly (Sport) (20MU2148) Driver Muffler Assembly (Touring) (20MU2150)	2.	Passenger Muffler Assembly (Sport) (20MU2149) Passenger Muffler Assembly (Touring) (20MU2151)
3.	Driver 4.5" Slash Cut Tip Assembly (20MU3010)	4.	Passenger 4.5" Slash Cut Tip Assembly (20MU3011)
5.	4.5" Straight Cut Tip Assembly (2) (20MU3030)	6.	Axle Pipe Inlet to Stock Adapter (2) (20MU4074)
7.	Driver Axle Pipe Assembly (20MU4246)	8.	Passenger Axle Pipe Assembly (20MU4247)
9.	Hardware Kit (20MU7082)	10.	4.5" Straight Cut Carbon Fiber Tip Assembly (2) (99TK3027)

CAUTION: Never work on a hot exhaust system. Allow the vehicle to cool for at least an hour and a half. Always wear eye protection when working under a vehicle. It is recommended to use cotton gloves to protect stainless steel surfaces from permanent grease and oil stains.

REMOVAL INSTRUCTIONS

FACTORY EXHAUST



1. The rear under tray is secured by two push clips, one 10mm bolt, and seven 7mm bolts. Use a 1/4" drive ratchet and 10mm socket to remove the bolt securing the center of the rear under tray. Next, remove the two push clips using a removal tool or flat head screwdriver.



2. Use a 1/4" drive ratchet and 7mm socket to remove the two bolts securing the forward end of the rear under tray.



3. Use a 1/4" drive ratchet and 7mm socket to remove the five bolts securing the rearward end of the rear under tray to free it from the vehicle. **Set aside the rear under tray and fasteners in a protected location to be reused in INSTALL STEP 13.**



4. Use a 3/8" drive ratchet and 13mm socket to remove the two bolts securing the rear under tray mounting bracket to the chassis; this will free it from the vehicle. **Set aside the rear under tray mounting bracket and the fasteners in a protected location to be reused in INSTALL STEP 10.**

Continued on Next Page ...

REMOVAL INSTRUCTIONS

FACTORY EXHAUST



- 5.** Starting on the driver side, measure 19 ³/₄" away from the flange on the stock resonator, following the outside profile of the exhaust pipe. The tape measure should follow the bend profile of the pipe.



- 6.** Measure 20" away from the flange on the stock resonator, following the outside profile of the exhaust pipe of the passenger side.
- 7.** Using a chain cutter or similar device, cut both the driver and passenger side exhaust pipes at the marked locations. Place a jack stand or similar device under the stock tunnel section of the exhaust for support. Once the axle pipes are cut, there are no additional stock hangers supporting the tunnel section.

Continued on Next Page ...

REMOVAL INSTRUCTIONS

FACTORY EXHAUST



- 8.** Using a 3/8" drive ratchet and 13mm socket, remove the **bolt** holding down the driver side hanger grommet assembly. **Set aside the fastener in a protected location to be reused in INSTALL STEP 5.**



- 9.** Once the bolt is removed, push up slightly on the exhaust and slide the hanger grommet assembly rearward to free it from the rear suspension sub-frame. Rotate the hanger grommet assembly a minimum of 90° so that it will not interfere with the rear suspension sub-frame.



- 10.** Lower the cut end of the driver side muffler assembly just enough to create clearance between the pipe and any suspension components. Slide the whole muffler assembly forward to remove the rear muffler hanger from the hanger grommet. The driver muffler assembly will not be free from the vehicle.

NOTE: The use of a soap and water solution may aid in the removal of the hanger grommets.

Repeat **REMOVAL STEPS 8-10** for the passenger side.



- 11.** Remove both the driver and passenger side hanger grommet assemblies from the rear mufflers using grommet pullers or a similar device. **Set aside the hanger grommet assemblies to be reused in INSTALL STEP 2.**



IMPORTANT: Carefully and thoroughly de-burr the stock tunnel muffler (resonator) outlet pipes from any burrs and sharp edges. This is important as any burrs will prevent the stock to axle-back adapters from sliding over the stock exhaust pipes. This concludes the factory exhaust system removal.

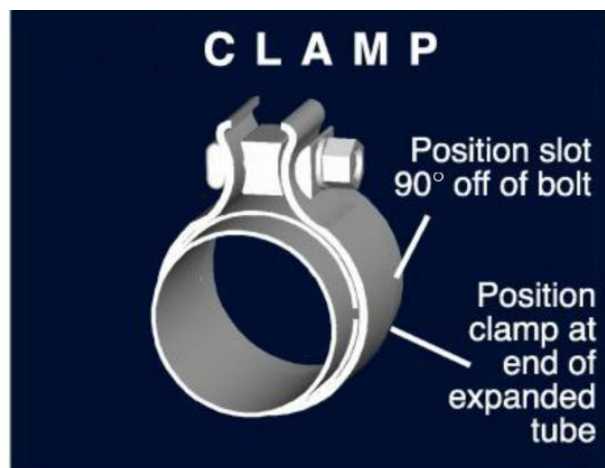
This concludes the removal of the factory exhaust.

WARNING! DO NOT SKIP THIS STEP!

It is recommended to apply anti-seize lubricant to the threads **ONLY** of all the clamps and flange bolts. Failure to follow this procedure can cause nuts to seize on clamps and potentially destroy threads.

After applying anti-seize lubricant, be sure to **thoroughly** clean your hands, as lubricant will tarnish stainless steel.

All clamps should be tightened using a properly calibrated Torque Wrench. Using an air impact gun will damage the clamp and reduce its ability to effectively seal the joint. It may also cause the joint to separate, thereby causing damage to your exhaust system and to your vehicle.



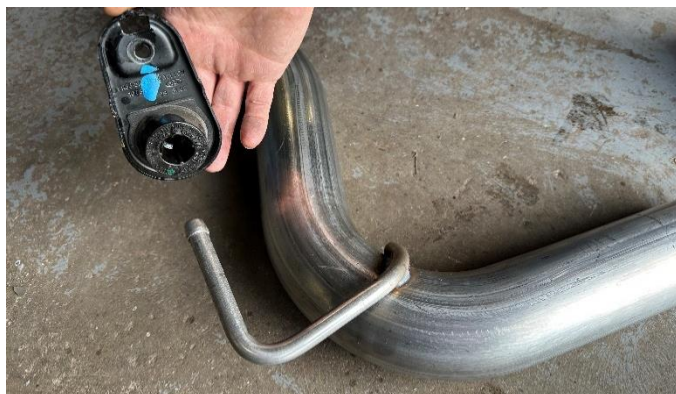
NOTE: Align all clamps so that the center of the clamp bolt is 90 degrees from the notch in the pipe.

INSTALLATION INSTRUCTIONS

CORSA EXHAUST



1. Locate the two tunnel outlet adapters, along with two 2 ½" clamps. Install the clamps on the 2 ½" end of the adapter so that the bolt is vertical with the nut towards the ground and the bolt is towards the inside of the vehicle. Slide the adapters over the factory tunnel muffler outlet pipes and tighten the clamps using the ratchet and 15mm deep socket, until the adapters are snug on the pipes. The notches on the 2 ½" end of the adapters should be parallel to the ground. **WARNING: DO NOT over tighten the clamps as this may oval the 3" end of the adapter, making further installation more difficult.**



2. Locate the passenger side axle pipe assembly, and the hanger grommet assembly removed during **REMOVAL STEP 11** of the stock exhaust removal process. Install the hanger grommet assembly onto the front hanger of the muffler assembly in the same position as previously installed on the stock exhaust.

NOTE: The use of a soap and water solution may aid in the installation of hanger grommets.

Continued on Next Page ...

INSTALLATION INSTRUCTIONS

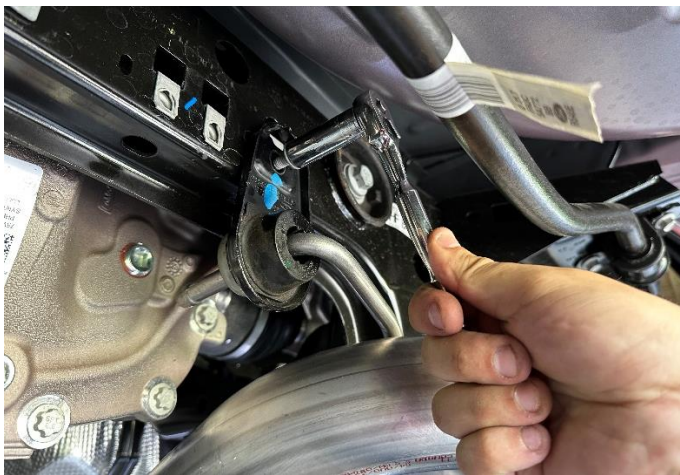
CORSA EXHAUST



- 3.** Locate one 3" clamp. Install the clamp on the passenger side axle pipe so that the bolt is vertical with the nut towards the ground and the bolt is towards the inside of the vehicle



- 4.** Slide the axle pipe inlet pipe over the passenger side adapter. **NOTE:** The use of a soap and water solution may aid in the installation of hanger grommets.



- 5.** Locate a 13mm bolt set aside during **REMOVAL STEP 8** of the stock exhaust removal process. Install the front passenger hanger grommet assembly onto the rear suspension sub-frame and tighten it down with the 13mm bolt, 3/8" ratchet and 13mm socket.



- 6.** Tighten the clamp connecting the passenger axle pipe to the 3" adapter using the 3/8" ratchet and 15mm deep socket until the axle pipe assembly is snug on the adapter.

Repeat **INSTALL STEPS 2-6** on the driver side of the vehicle.

Continued on Next Page ...

INSTALLATION INSTRUCTIONS

CORSA EXHAUST



- 7.** Locate the passenger side muffler assembly and one 3" clamp. Install the clamp on the muffler inlet pipe so that the bolt is vertical with the nut towards the ground and the bolt is towards the muffler case (facing the rear of the vehicle).



- 8.** Slide the rear hanger into the rear hanger grommet located on the vehicle above and just inside of the passenger side tip cut out.

NOTE: The use of a soap and water solution may aid in the installation of hanger grommets.



- 9.** Slide the muffler inlet pipe over the passenger side axle pipe outlet. Tighten the clamp using the 3/8" ratchet and 15mm deep socket until the muffler assembly is snug on the axle pipe.

Repeat **INSTALL STEPS 7-9** on the driver side of the vehicle.



- 10.** Locate the rear under tray mounting bracket and the two bolts set aside in **REMOVAL STEP 4** of the stock exhaust removal process. Install the rear under tray mounting bracket onto the rear suspension sub-frame and tighten it down with the two bolts using a 3/8" ratchet and 13mm socket.

Continued on Next Page ...

2024+ FORD MUSTANG GT 5.0L V8

3.0" Axle-Back Dual Rear Exit w/ 4.5" Tips

Sport Part #: 21252, 21253 - Touring Part #: 21256, 21257 (Incl. BLK, CF, & CF BLK)

CORSA[®]
PERFORMANCE

INSTALLATION INSTRUCTIONS

CORSA EXHAUST



11. Locate the passenger rear tip assembly and one 3" clamp. Install the clamp on the tip inlet pipe so that the bolt is horizontal with the nut towards the inside of the vehicle and the bolt towards the top. Slide the tip assembly over the muffler outlet pipe and tighten the clamp using the ratchet and 15mm deep socket until the tip assembly is snug on the muffler outlet pipe. Repeat for the driver side tip assembly.



12. Adjust the system, including the adapter overlap on the stock exhaust, the rear muffler depth and rotation, along with the tip depth and rotation so that the tips are centered in the bumper valence. Rotate the tips so that the CORSA etch is on top. Check the position of all hangers to make sure they are properly seated within their corresponding grommets. Check clearances between the system components and chassis. At this time, tighten all clamps to 45ft-lbs.
13. Locate the rear under tray and all fasteners set aside in **REMOVAL STEP 3** of the stock exhaust removal process. Reinstall the rear under tray. Installation is reverse of removal. Refer to **REMOVAL STEPS 1-3**. Installation complete.

NOTE: During cold weather start-ups, you may experience an exhaust sound that is deeper and louder in tone than usual. This is temporary and will diminish to normal levels once your engine has reached its normal operating temperature.

NOTE: Immediately following the installation of your exhaust system, you may experience a trace of smoke after initial start-up. DO NOT be alarmed. The smoke is caused by the burning of a small amount of forming oil residue used in the manufacturing process.

NOTE: It is strongly suggested that all clamps be checked and tightened after road testing the vehicle once the system has cooled.