



# AIRCHARGER®

## HIGH-FLOW INTAKE KITS

NOT LEGAL FOR SALE OR USE ON ANY POLLUTION CONTROLLED MOTOR VEHICLE IN CALIFORNIA OR STATES ADOPTING CALIFORNIA EMISSION PROCEDURES.

See knfilters.com for CARB status on each part for a specific vehicle

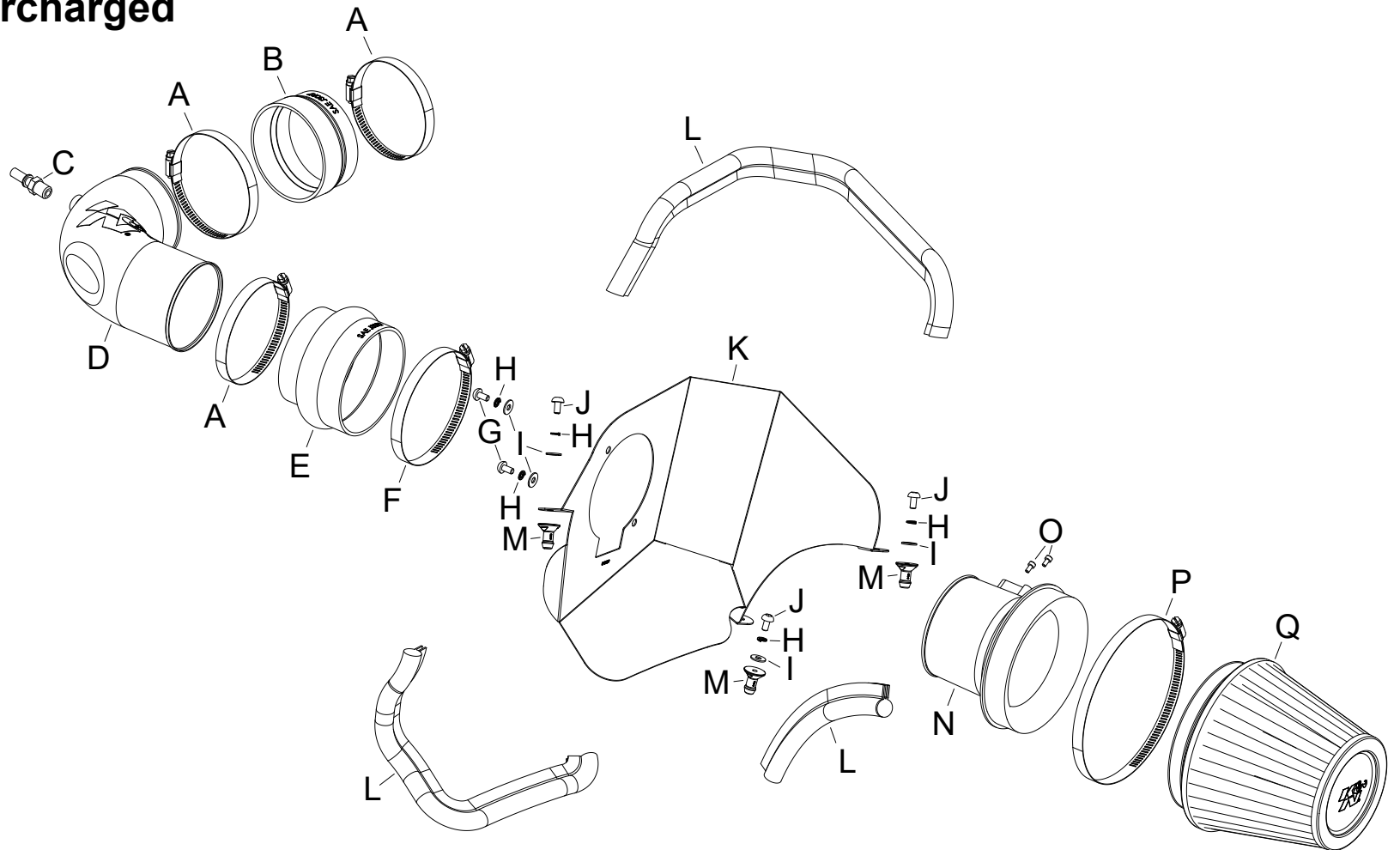
### INSTALLATION INSTRUCTIONS

63-3099

CHEVROLET

2017 Camaro ZL1

V8-6.2L Supercharged



**TOOLS NEEDED:**

- 10mm wrench
- 5/8" wrench
- 3mm allen key
- 4mm allen key
- t20 torx
- flat blade screw driver

**PARTS LIST:**

| Description                      | Qty. | Part # | Description                  | Qty. | Part # | Description                    | Qty. | Part #  |
|----------------------------------|------|--------|------------------------------|------|--------|--------------------------------|------|---------|
| A HOSE CLAMP #64, BLACK ZINC     | 3    | 08645K | G BOLT; M6 X 1.00" 12MM, SS  | 2    | 07794  | M MOUNT, PLASTIC AIRBOX        | 3    | 8-186-1 |
| B HOSE; 4" TO 3-13/16" ID X 2" L | 1    | 08618  | H WASHER, M6 SPLIT LOCK ZINC | 5    | 1-3025 | N ADAPTER; MAF SENSOR          | 1    | 088035  |
| C VENT; STRT, 1/4" NPT           | 1    | 08938  | I WASHER; 6MM FLAT, SS       | 5    | 08269  | O BOLT; M4 - 0.07 8MM, A/H CAP | 2    | 07733   |
| D INTAKE TUBE                    | 1    | 087337 | J BOLT; M6 X 1.00 X 12MM, SS | 3    | 07727  | P HOSE CLAMP; #104             | 1    | 08697   |
| E HOSE; 4-1/2"ID TO 3-7/8"ID X3  | 1    | 084101 | K HEAT SHIELD                | 1    | 073239 | Q FILTER CHARGER               | 1    | RP-5168 |
| F HOSE CLAMP #72, BLACK ZINC     | 1    | 08671K | L EDGE TRIM (55")            | 1    | 102480 |                                |      |         |

If you need any assistance please call 1-800-858-3333 to speak with a representative in our Customer Service Center before returning the product.

**NOTE: FAILURE TO FOLLOW INSTALLATION INSTRUCTIONS AND NOT USING THE PROVIDED HARDWARE MAY DAMAGE THE INTAKE TUBE, THROTTLE BODY AND ENGINE.**

**TO START:**

1. Turn off the ignition and disconnect the negative battery cable.  
**NOTE: Disconnecting the negative battery cable erases pre-programmed electronic memories. Write down all memory settings before disconnecting the negative battery cable. Some radios will require an anti-theft code to be entered after the battery is reconnected. The anti-theft code is typically supplied with your owner's manual. In the event your vehicles anti-theft code cannot be recovered, contact an authorized dealership to obtain your vehicles anti-theft code.**



2. Disconnect the mass air sensor electrical connection.



3. Release the quick disconnect fitting and then disconnect the crank case breather vent line.



4. Loosen the hose clamp at the throttle body and then remove the complete stock intake system.  
**NOTE: The air filter housing is snapped into three grommets.**  
**NOTE: K&N Engineering, Inc., recommends that customers do not discard factory air intake.**



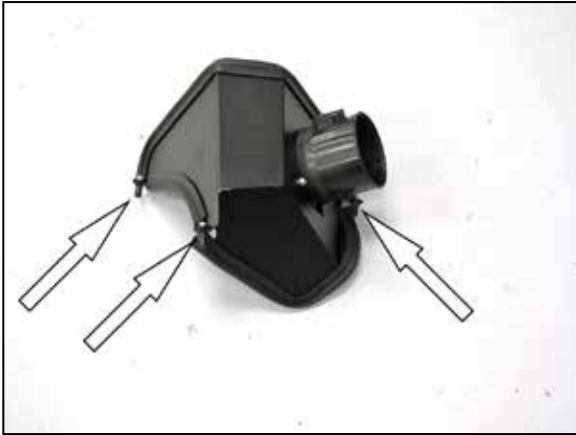
5. Install the K&N® mass air sensor housing into the Heat shield and secure with the provided hardware.



6. Cut the provided edge trim into three sections of 24", 15" and 9" as shown.



7. Install the edge trim onto the heat shield as shown.



8. Install the provided heat shield mounts onto the heat shield using the provided hardware.



9. Remove the mass air sensor from the factory air filter housing.



10. Install the mass air sensor into the K&N mass air housing and secure with the provided hardware.



11. Install the heat shield so that the mounts snap into the factory air filter housing mounts.



12. Install the provided coupler hose (08618) onto the throttle body and secure with the provided hose clamp.



13. Install the provided hump coupler hose (084101) onto the mass air sensor housing and secure with the provided hose clamp.



14. Install the provided NPT quick disconnect fitting into the K&N intake tube as shown.

**NOTE: Plastic NPT fittings are easy to cross thread. Install the vent fitting "hand" tight, then turn it two complete turns with a wrench.**



15. Install the K&N intake tube assembly into the hump coupler and then into the coupler at the throttle body, adjust the tube for best fit and then secure with the provided hose clamps.



16. Connect the factory crank case vent connector into the quick disconnect fitting installed into the K&N intake tube.



17. Reconnect the mass air sensor electrical connection.



18. Install the K&N air filter and secure with the provided hose clamp.



19. Reconnect the vehicle's negative battery cable. Double check to make sure everything is tight and properly positioned before starting the vehicle.

20. It will be necessary for all K&N high flow intake systems to be checked periodically for realignment, clearance and tightening of all connections. Failure to follow the above instructions or proper maintenance may void warranty.

#### ROAD TESTING:

1. Start the engine with the transmission in neutral or park, and the parking brake engaged. Listen for air leaks or odd noises. For air leaks secure hoses and connections. For odd noises, find cause and repair before proceeding. This kit will function identically to the factory system except for being louder and much more responsive.

2. Test drive the vehicle. Listen for odd noises or rattles and fix as necessary.

3. If road test is fine, you can now enjoy the added power and performance from your kit.

4. K&N Engineering, Inc., requires cleaning the intake system's air filter element every 100,000 miles. When used in dusty or off-road environments, our filters will require cleaning more often. We recommend that you visually inspect your filter once every 25,000 miles to determine if the screen is still visible. When the screen is no longer visible some place on the filter element, it is time to clean it. To clean and re-oil, purchase our filter Recharger service kit, part number 99-5050 or 99-5000 and follow the easy instructions.

**NOT LEGAL FOR SALE OR USE ON ANY POLLUTION CONTROLLED MOTOR VEHICLE IN CALIFORNIA OR STATES ADOPTING CALIFORNIA EMISSION PROCEDURES.**

See [knfilters.com](http://knfilters.com) for CARB status on each part for a specific vehicle