



FORD PERFORMANCE

M-9603-M8B
2018 – 20MY Mustang 5.0 GT Cold Air Kit with Calibration
Instruction

NO PART OF THIS DOCUMENT MAY BE REPRODUCED WITHOUT PRIOR AGREEMENT AND WRITTEN PERMISSION OF
FORD PERFORMANCE PARTS © Ford Motor Company 2020

PRIOR TO INSTALLATION READ THESE INSTRUCTION COMPETELY
For questions, Call the FORD PERFORMANCE Techline 1-800-367-3788

Please visit <https://www.performanceparts.ford.com> for warranty information

Kit contains:

- 1 – Ford Performance Cold Air Intake
- 1 – Ford Performance ProCal 4
- 1 – ProCal 4 Voucher
- 1 – 87 mm Throttle Body
- 4 – Throttle Body Bolts (Hex Head)
- 1 – Throttle Body Adaptor
- 4 – Throttle Body Adaptor Bolts (Socket Head)
- 1 – Throttle Body Adaptor Seal
- 1 – EO Label
- 1 – Foam Seal
- 1 – Air Inlet
- 1 – Sound Symposer Plug
- 1 – Premium Fuel Label
- 2 – Wiring Stud Retainers
- 1 – 90 degree connector
- 1 – PCV Hose

Warning: Read ProCal voucher before starting installation!

Ford Factory Shop Manual purchase options www.motorcraftservice.com



FORD PERFORMANCE

M-9603-M8B 2018 – 20MY Mustang 5.0 GT Cold Air Kit with Calibration Instruction

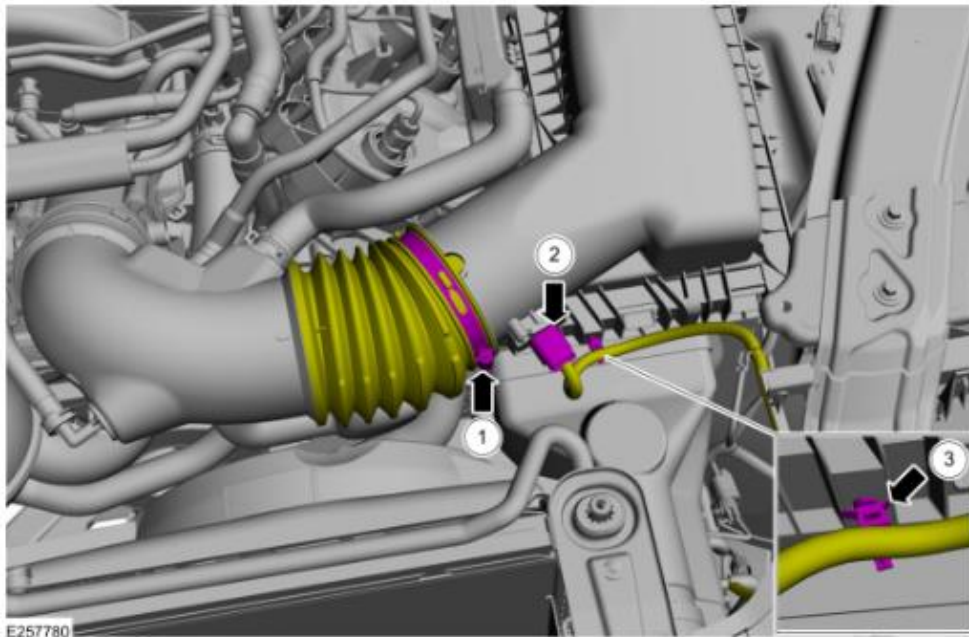
NO PART OF THIS DOCUMENT MAY BE REPRODUCED WITHOUT PRIOR AGREEMENT AND WRITTEN PERMISSION OF FORD PERFORMANCE PARTS © Ford Motor Company 2020

NOTE: Removal steps in this procedure may contain installation details.

Disconnect the battery ground cable.

Disconnect the battery positive cable.

1. Loosen the clamp and position the air cleaner outlet pipe from the air cleaner.
Torque: 44 lb.in (5 Nm)
2. Disconnect the MAF sensor electrical connector. CAUTION ! Connector may have a clip locking feature to be disengaged before connector clip can be depressed.
3. Detach and position the wire harness from the air cleaner.



Ford Factory Shop Manual purchase options www.motorcraftservice.com



FORD PERFORMANCE

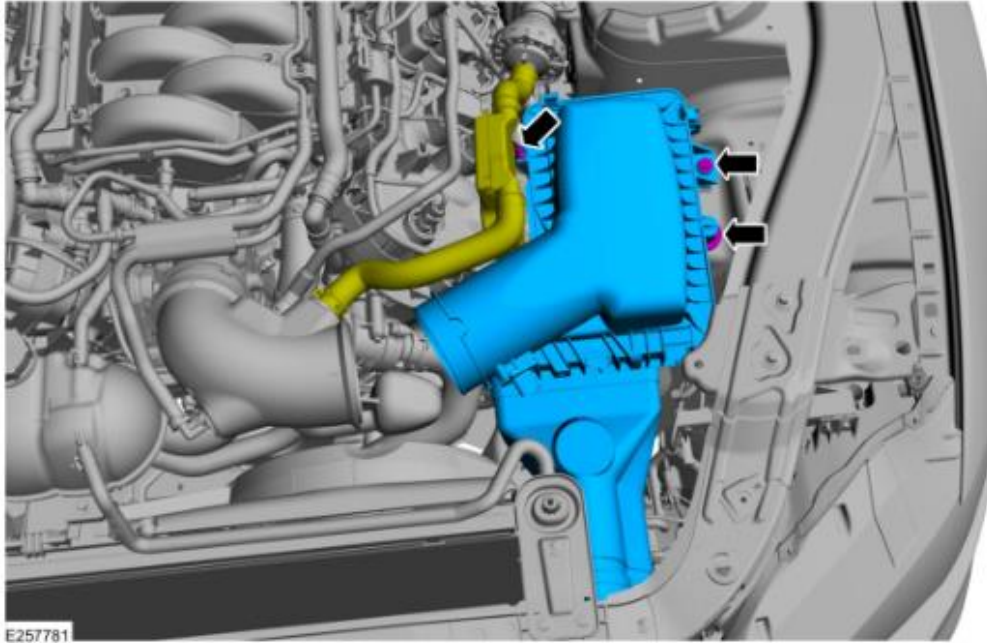
M-9603-M8B

2018 – 20MY Mustang 5.0 GT Cold Air Kit with Calibration

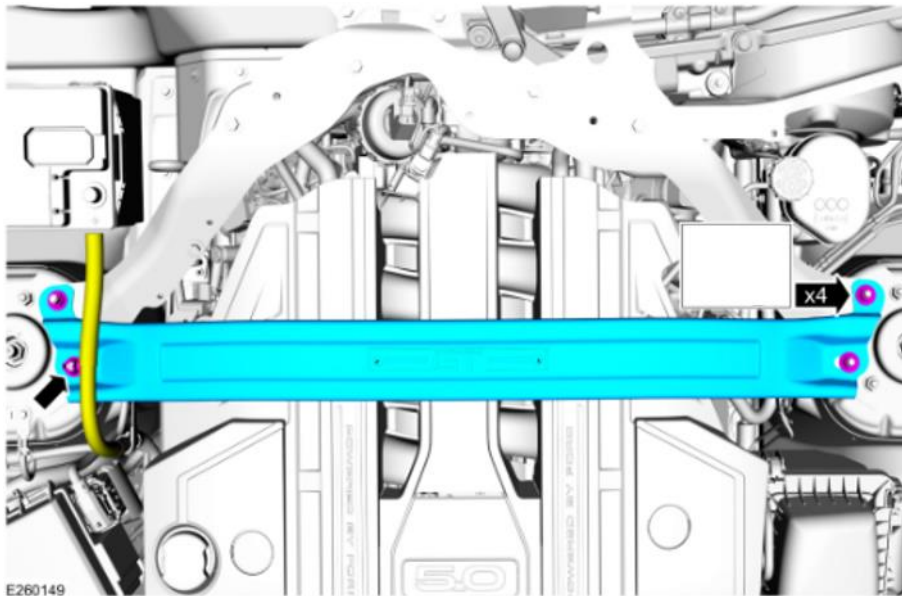
Instruction

NO PART OF THIS DOCUMENT MAY BE REPRODUCED WITHOUT PRIOR AGREEMENT AND WRITTEN PERMISSION OF FORD PERFORMANCE PARTS © Ford Motor Company 2020

4. Detach and position the sound symposer from the air cleaner.
5. Remove the bolt and the air cleaner. **Save fastener for installation**



6. If equipped
Remove the strut tower cross brace.
Torque: 41 lb.ft (55 Nm)



Ford Factory Shop Manual purchase options www.motorcraftservice.com



FORD PERFORMANCE

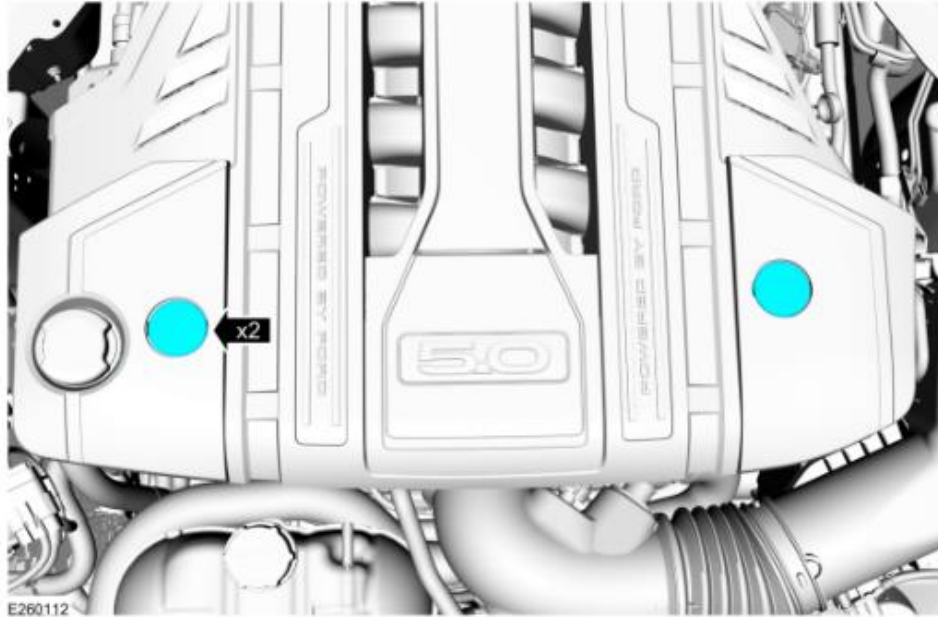
M-9603-M8B

2018 – 20MY Mustang 5.0 GT Cold Air Kit with Calibration

Instruction

NO PART OF THIS DOCUMENT MAY BE REPRODUCED WITHOUT PRIOR AGREEMENT AND WRITTEN PERMISSION OF FORD PERFORMANCE PARTS © Ford Motor Company 2020

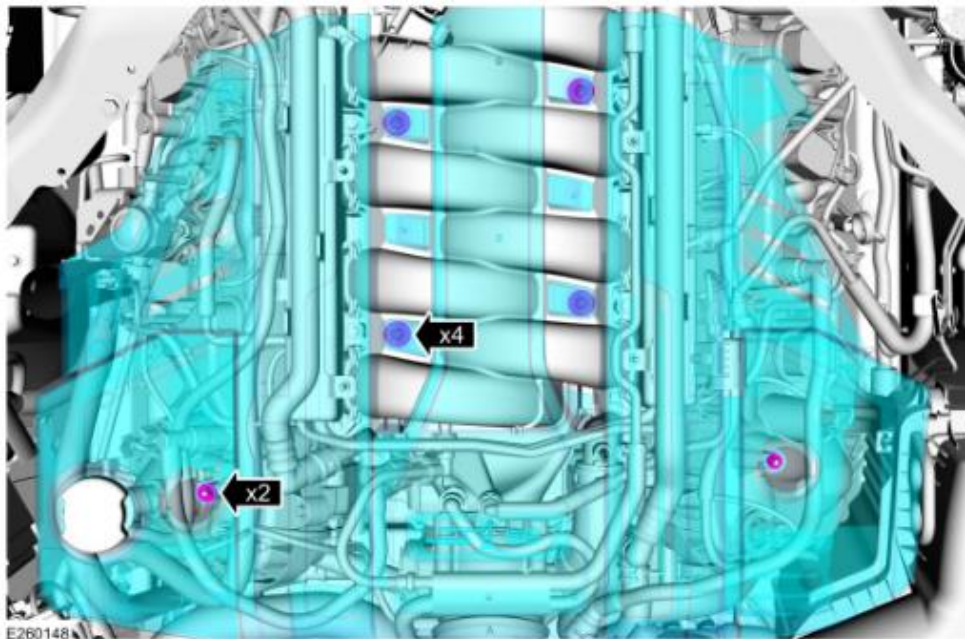
7. Remove the engine appearance cover caps.



8. **NOTE:** The engine appearance cover rubber grommets may remain on the cover. If so, remove the grommets from the cover and install them on the intake manifold before installing the cover.

Remove the nuts and the engine appearance cover.

Torque: 35 lb.in (4 Nm)



Ford Factory Shop Manual purchase options www.motorcraftservice.com

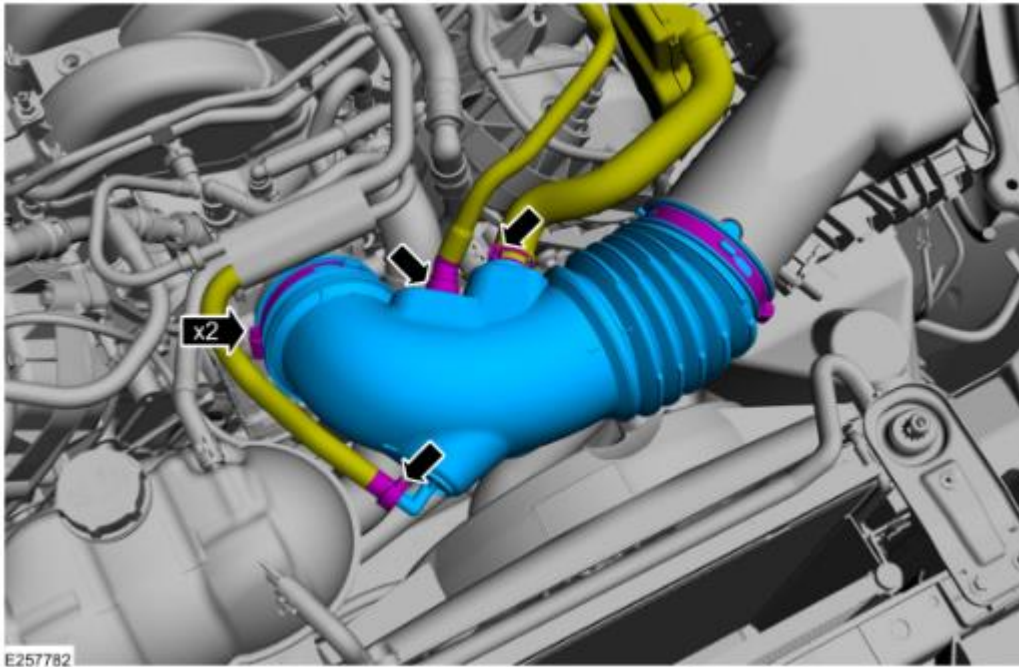


FORD PERFORMANCE

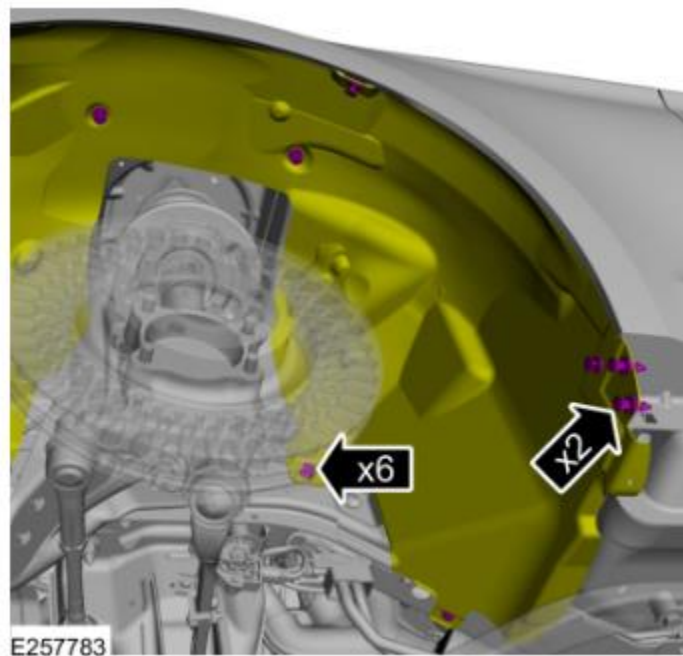
M-9603-M8B 2018 – 20MY Mustang 5.0 GT Cold Air Kit with Calibration Instruction

NO PART OF THIS DOCUMENT MAY BE REPRODUCED WITHOUT PRIOR AGREEMENT AND WRITTEN PERMISSION OF FORD PERFORMANCE PARTS © Ford Motor Company 2020

9. Disconnect and position aside the brake booster tube, crankcase ventilation tube and resonator air inlet tube.
10. Loosen the throttle body clamp and remove the air cleaner outlet pipe.
Torque: 48 lb.in (5.4 Nm)



11. Remove the push pins and position aside front wheel arch liner.



Ford Factory Shop Manual purchase options www.motorcraftservice.com

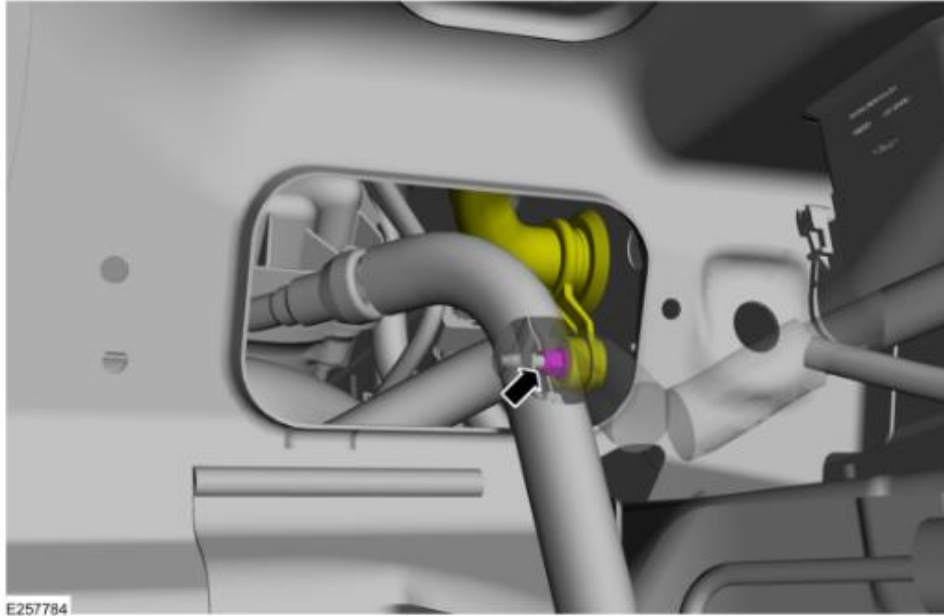


FORD PERFORMANCE

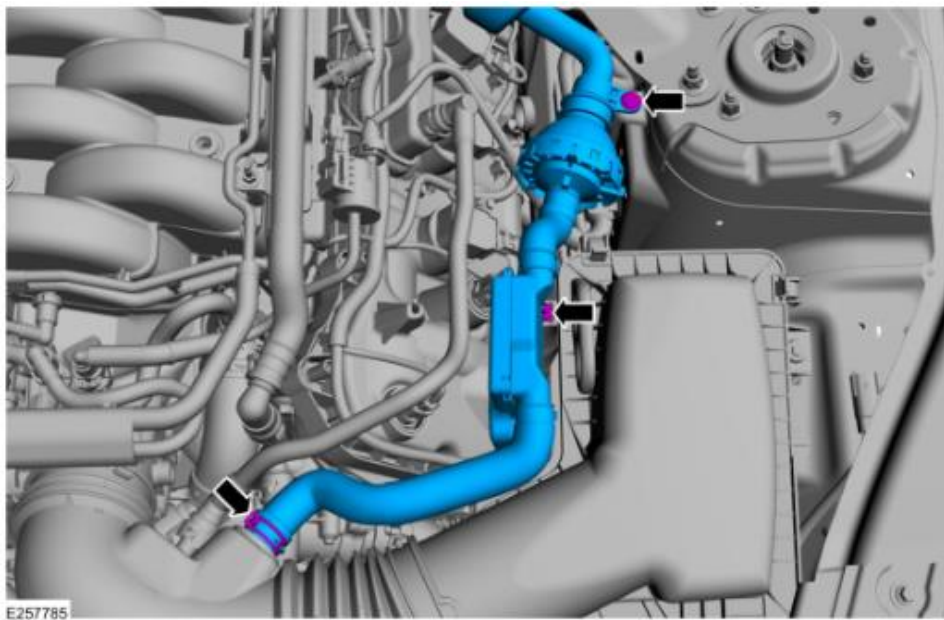
M-9603-M8B 2018 – 20MY Mustang 5.0 GT Cold Air Kit with Calibration Instruction

NO PART OF THIS DOCUMENT MAY BE REPRODUCED WITHOUT PRIOR AGREEMENT AND WRITTEN PERMISSION OF FORD PERFORMANCE PARTS © Ford Motor Company 2020

12. Remove the nut and position aside the sound symposer assembly.
Torque: 62 lb.in (7 Nm)



13. Install the Sound Symposer plug
14. Reinstall the front wheel arch liner
15. Remove the push pin, remove the clamp and sound symposer assembly.



Ford Factory Shop Manual purchase options www.motorcraftservice.com

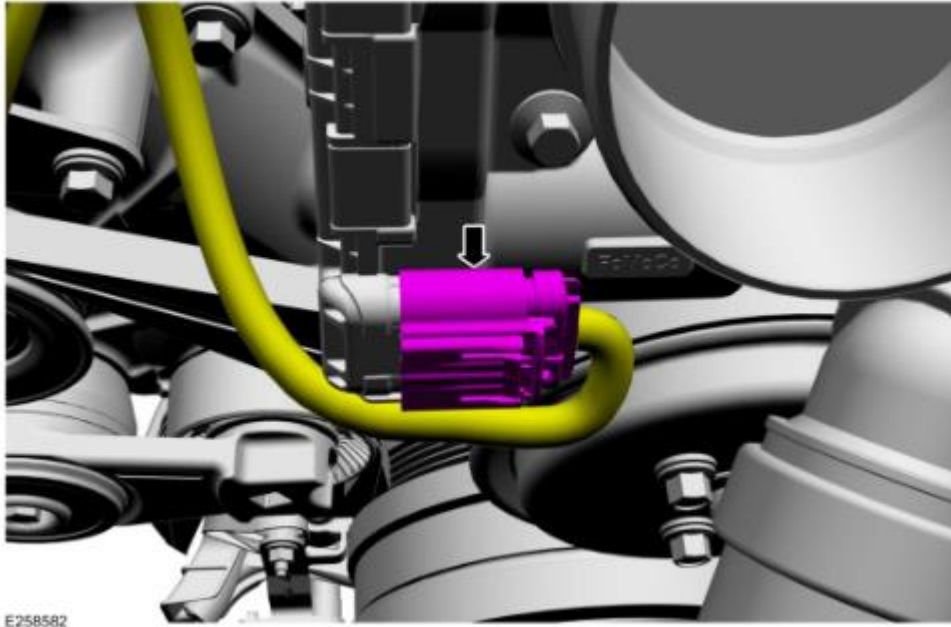


FORD PERFORMANCE

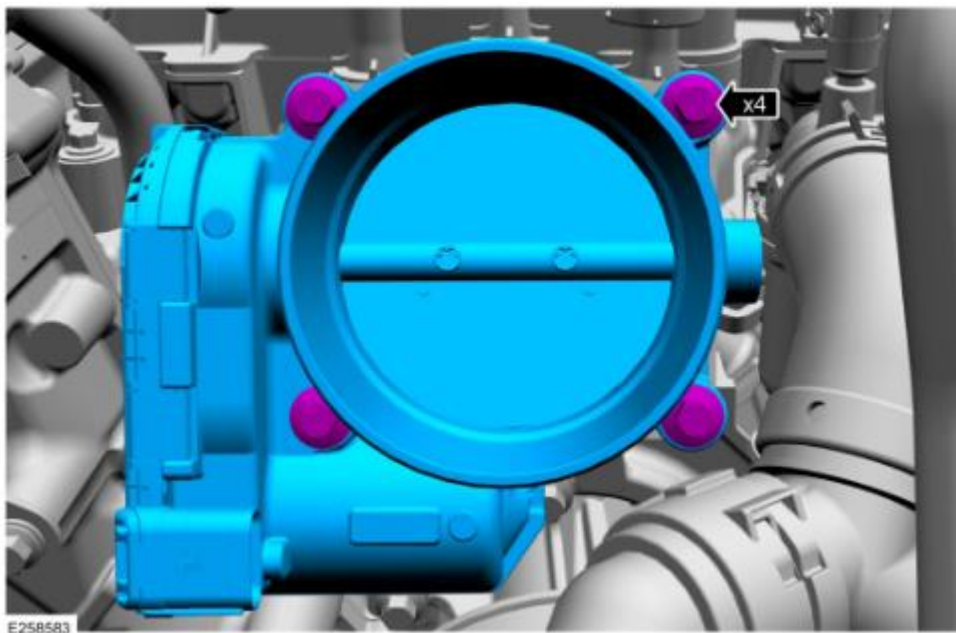
M-9603-M8B 2018 – 20MY Mustang 5.0 GT Cold Air Kit with Calibration Instruction

NO PART OF THIS DOCUMENT MAY BE REPRODUCED WITHOUT PRIOR AGREEMENT AND WRITTEN PERMISSION OF FORD PERFORMANCE PARTS © Ford Motor Company 2020

16. Disconnect the throttle body electrical connector.



17. Remove the throttle body retaining bolts, then remove the throttle body.



Ford Factory Shop Manual purchase options www.motorcraftservice.com

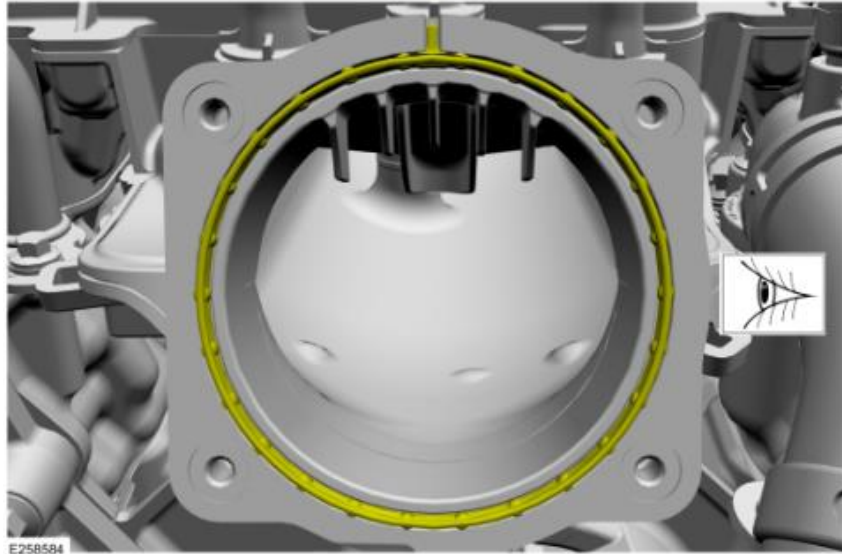


FORD PERFORMANCE

M-9603-M8B 2018 – 20MY Mustang 5.0 GT Cold Air Kit with Calibration Instruction

NO PART OF THIS DOCUMENT MAY BE REPRODUCED WITHOUT PRIOR AGREEMENT AND WRITTEN PERMISSION OF FORD PERFORMANCE PARTS © Ford Motor Company 2020

18. Inspect the throttle body gasket, clean and replace the throttle body gasket as needed.



19. Install throttle body adapter.
20. Torque Throttle Body Adapter Bolts (socket head) to 7 ft. lbs.
21. Install supplied throttle body gasket to adapter.



Ford Factory Shop Manual purchase options www.motorcraftservice.com

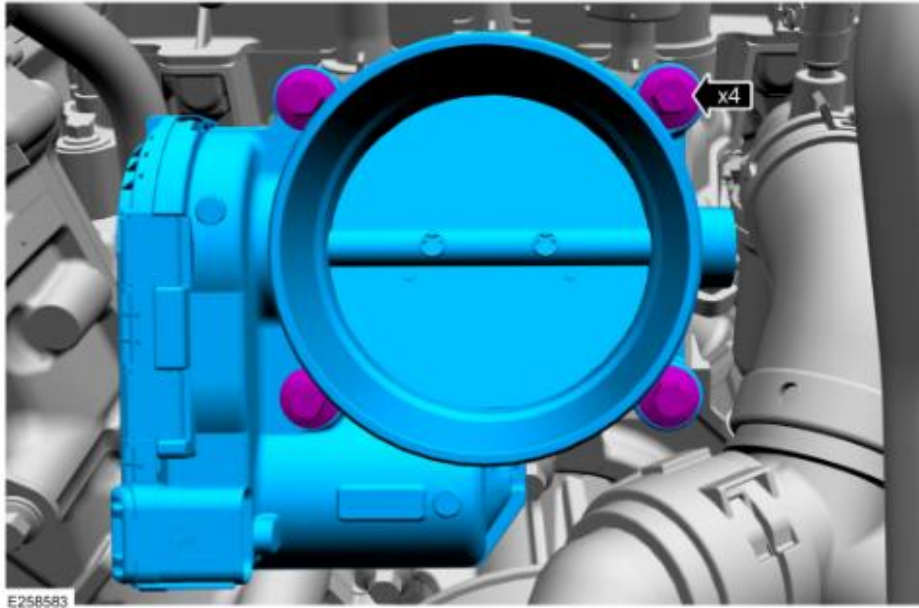


FORD PERFORMANCE

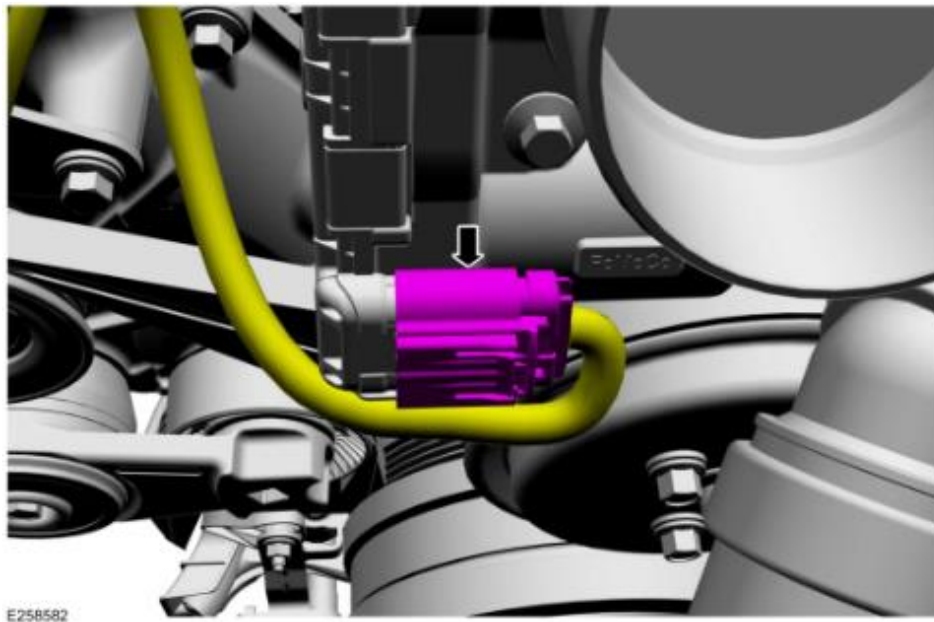
M-9603-M8B 2018 – 20MY Mustang 5.0 GT Cold Air Kit with Calibration Instruction

NO PART OF THIS DOCUMENT MAY BE REPRODUCED WITHOUT PRIOR AGREEMENT AND WRITTEN PERMISSION OF FORD PERFORMANCE PARTS © Ford Motor Company 2020

22. Install the 87 mm throttle body, then install and tighten the throttle body retaining bolts in the following 2 stages.
Torque:
Stage 1: 62 lb.in (7 Nm)
Stage 2: 60°



23. Connect the throttle body electrical connector.



Ford Factory Shop Manual purchase options www.motorcraftservice.com

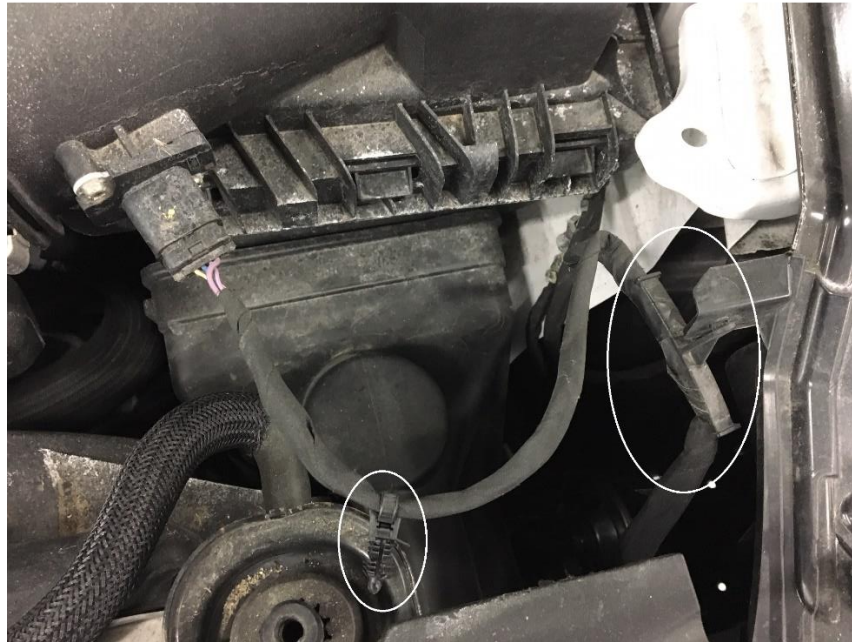


FORD PERFORMANCE

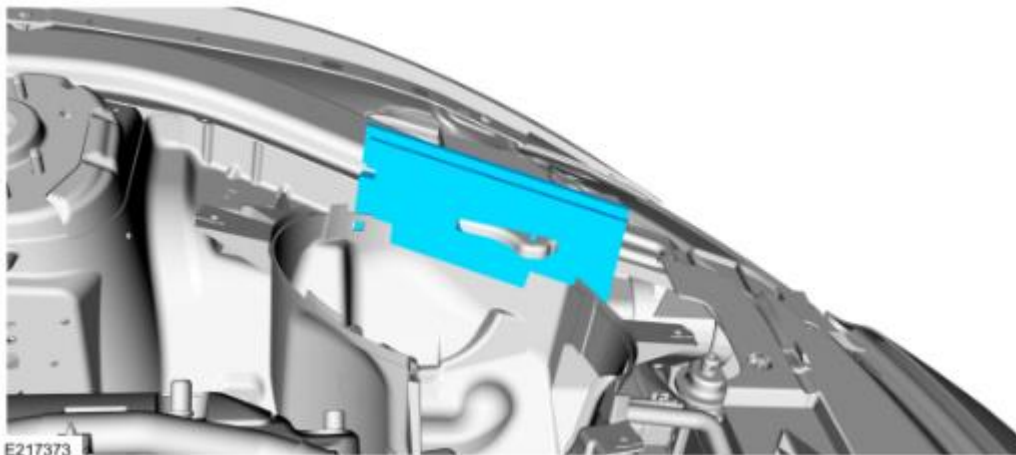
M-9603-M8B 2018 – 20MY Mustang 5.0 GT Cold Air Kit with Calibration Instruction

NO PART OF THIS DOCUMENT MAY BE REPRODUCED WITHOUT PRIOR AGREEMENT AND WRITTEN PERMISSION OF FORD PERFORMANCE PARTS © Ford Motor Company 2020

24. On the MAF wiring, remove the two wiring harness retainers
25. Wiring harness may need to be extended for new MAF location. Be careful not to damage wiring when doing so



26. Place the foam seal in place



Ford Factory Shop Manual purchase options www.motorcraftservice.com



FORD PERFORMANCE

M-9603-M8B

2018 – 20MY Mustang 5.0 GT Cold Air Kit with Calibration

Instruction

NO PART OF THIS DOCUMENT MAY BE REPRODUCED WITHOUT PRIOR AGREEMENT AND WRITTEN PERMISSION OF FORD PERFORMANCE PARTS © Ford Motor Company 2020

27. Connect the dirty air inlet to the Ford Performance Cold Air Intake
28. Install the Ford Performance Cold Air Intake
29. Throttle Body Clamp: Torque: 48 lb.in (5.4 Nm)
30. Air Box Bolt: Torque: 71 lb.in (8 Nm) – **Reuse Fastener from Step 5**

31. Remove the crankcase ventilation tube (JR3E-6758-B*)
32. Install and connect the provided crankcase ventilation tube (KR3E-6758-B*)



Ford Factory Shop Manual purchase options www.motorcraftservice.com



FORD PERFORMANCE

M-9603-M8B

2018 – 20MY Mustang 5.0 GT Cold Air Kit with Calibration

Instruction

NO PART OF THIS DOCUMENT MAY BE REPRODUCED WITHOUT PRIOR AGREEMENT AND WRITTEN PERMISSION OF FORD PERFORMANCE PARTS © Ford Motor Company 2020

33. Carefully remove the original brake aspirator connector by cutting approx. 1 inch off the brake aspirator tube
34. Install the provided 90 degree connector onto the Ford Performance Cold Air Intake
35. Connect the modified brake aspirator tube to the 90 degree connector



Ford Factory Shop Manual purchase options www.motorcraftservice.com

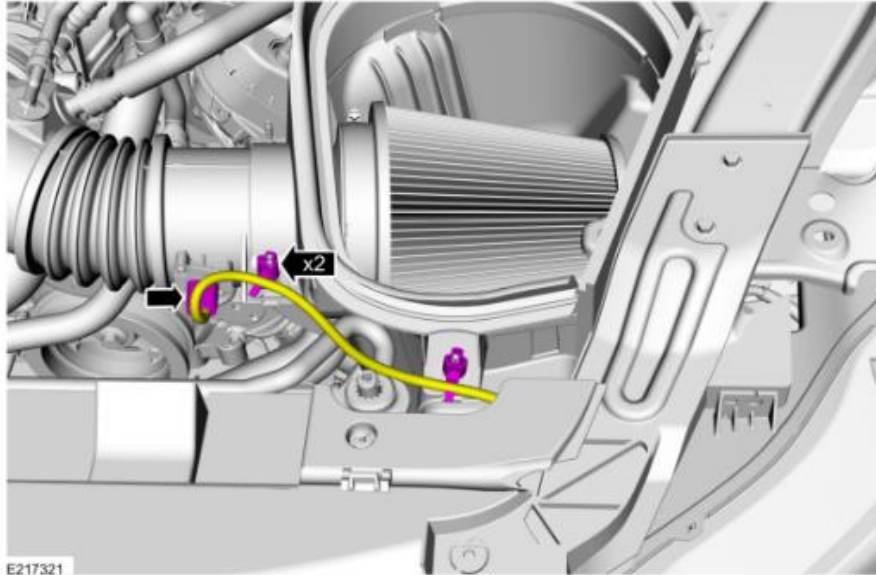


FORD PERFORMANCE

M-9603-M8B 2018 – 20MY Mustang 5.0 GT Cold Air Kit with Calibration Instruction

NO PART OF THIS DOCUMENT MAY BE REPRODUCED WITHOUT PRIOR AGREEMENT AND WRITTEN PERMISSION OF FORD PERFORMANCE PARTS © Ford Motor Company 2020

36. Connect MAF sensor
37. Install 2x Stud retainers on wiring harness. Connect to studs



38. Place the engine appearance cover back in place
39. Modify engine appearance cover as needed to clear brake aspirator tube



40. Reinstall engine appearance cover
41. If equipped, reinstall strut tower brace
42. Reconnect battery terminals
43. End

Enjoy your Ford Performance Cold Air Intake

Ford Factory Shop Manual purchase options www.motorcraftservice.com